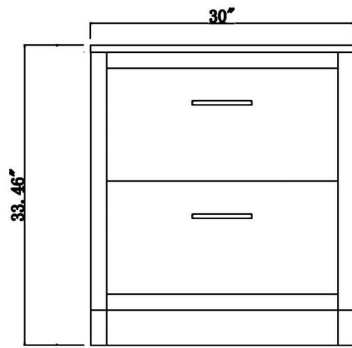
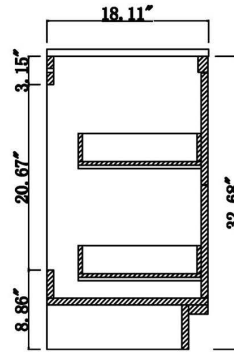


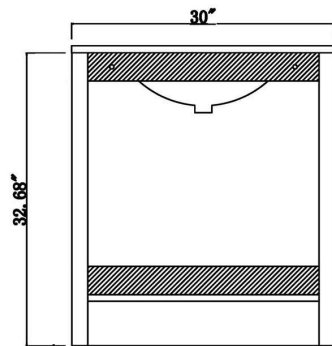
# 502001B-30



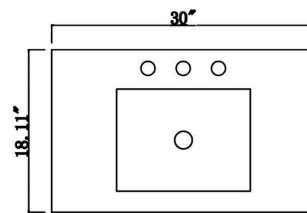
Front View



Left View



Back View



Top View